

PRODUCT: BEL FSG 60 DOP Sta
 COLOUR: Sta
 CODE: 444440497
 ISSUE: A
 DATE: 08/02/2010

FREESTANDING



Key	Product	Product Description	TCO	Replace	Date	Qty
NR	073103203	CHASSIS fs 60 g do				1
00358	602925404	FRONTFRAME 60 std mot				1
00783	082360801	SLEEVE silicone (black)				1
0314	082233400	FAN cooling DP203A-2123LST-C31				1
0349	081830501	FOOT levelling long				4
0604	503009800	PANEL rear 60 gas				1
0697	562044130	PLINTH 60 blk				1
0728	080180676	SCREW m6x30 pp mc				4
0880	081545401	SWITCH thermal2455R/82/713F60				1
0880	082914200	SWITCH thermal cutout L120C				1
NR	073103403	MAIN OVEN fs 60 g light				1
0NR	083001600	ELBOW rear flue				2
0178	268287000	CLIP pipe				1
0182	082101600	CLIP tubular				4
0280	082543400	ELECTRODE tcouple oven DEL705				1
0328	503009900	TUBE flue				2
0499	080011121	INJECTOR oven 180 amal				1
0507	082049500	BURNER oven 17020				1
0544	926016900	LAMP assy oven				1
0558	080125000	LOCKNUT thermocouple BRAS				1
0589	612818331	CAVITY assy 60main gaso1r pri				1
0728	081367387	SCREW M3X6 TORQ PAN HEAD BZP				2
0734	081797200	SEAL main ov 550HL KB				1.6
0736	081423974	SEAL tap 4mm COPRECI F3862-04				1
0791	082554300	SPACER oven fan				2
0792	081702001	SPACER oven burner 055 KB				2
0907	082821300	THERMOCOUPLE 1500mm				1
0912	083002200	THERMOSTAT FFD isphording				1
0912	082583402	THERMOSTAT MT 22300/285(st.ph)				1
0983	080482801	WIRE ign 890mm 92-4				1
NR	073103603	TOP OVEN fs 60 g vg				1
0178	268287000	CLIP pipe				1
0182	082101600	CLIP tubular				4
0280	082543400	ELECTRODE tcouple oven DEL705				1
0287	082971400	Element gr/single 20.35720.000				1
0467	082852416	HOLDER phial 180mm				1
0498	080011119	INJECTOR 110 Amal				1
0507	082049500	BURNER oven 17020				1
0558	080125000	LOCKNUT thermocouple BRAS				1
0591	612818332	CAVITY assy 60top gasog pri				1
0728	081367387	SCREW M3X6 TORQ PAN HEAD BZP				2
0734	081797200	SEAL main ov 550HL KB				1.1
0736	081423974	SEAL tap 4mm COPRECI F3862-04				1
0792	081702001	SPACER oven burner 055 KB				2
0907	081366700	THERMOCOUPLE oven 1300mm				1
0912	083039700	THERMOSTAT MTGE 22300				1
0912	083002201	THERMOSTAT/EGRILL ffd isphording				1
0983	080482801	WIRE ign 890mm 92-4				1
NR	073103804	HOB MECH 60 g lid				1
0001	503003000	ACTUATOR arm				2
0056	082922401	HINGE BRKT ASS SBS RH(RIVETTD)				1
0056	082922400	HINGE BRKT ASS SBS LH(RIVETTD)				1
0083	082519300	BURNERBOWL aux (0.77) Defendi				1

PRODUCT: BEL FSG 60 DOP Sta
 COLOUR: Sta
 CODE: 444440497
 ISSUE: A
 DATE: 08/02/2010

FREESTANDING



Key	Product	Product Description	TCO	Replace	Date	Qty
0084	082519400	BURNERBOWL semi (1.04) Defendi				2
0085	082519500	BURNERBOWL rapid (1.29)Defendi				1
0102	082957700	BURNERSKIRT aux (serie 3)				1
0103	082957701	BURNERSKIRT semi (serie 3)				2
0104	082957702	BURNERSKIRT rapid (serie 3)				1
0178	082520000	CLIP spring Defendi				4
0281	082532602	ELECTRODE 1300mm DEL703				4
0552	502427500	LID clip				2
0580	082938800	NUT flanged locking				4
0728	083011900	SCREW no2 x 5/8" pz pan bzp				4
0736	081423974	SEAL tap 4mm COPRECI F3862-04				4
0803	082303400	SPRING lid rs2				2
0876	083007700	SWITCH thermocouple				4
0889	082964501	TAP semi 0.32 bp lh set 0.46				1
0889	082964500	TAP aux 0.27 bp lh set 0.46				1
0889	082964602	TAP rapid 0.40 bp rh set 0.60				1
0889	082964601	TAP semi 0.32 bp rh set 0.46				1
0909	083007500	THERMPCOUPLE				4
0979	083007600	THERMOCOUPLE wire				4
NR	073104001	MAIN DOOR MECH fs 60				1
0147	082533800	CATCH roller (nylon)				1
0392	083001000	Glass inner fs 60 main				1
0458	082979700	HINGE bottom door				1
0459	082979701	HINGE top door				1
0738	080180734	SCREW m4x12 tt pcsk ch blk				4
0823	082494402	STRIKER door (silver)				1
NR	073104201	TOP DOOR MECH fs 60 do				1
00455	082905901	HINGE drop down door (Zan)				2
0392	083001001	Glass inner fs 60 top				1
0738	080180734	SCREW m4x12 tt pcsk ch blk				2
0835	082963200	Counter support				2
NR	073104400	FURNITURE MAIN 60				1
0419	082987300	GUIDE main oven shelf(5 pos)				2
0749	082985702	SHELF main oven 550/600				2
NR	073104601	FURNITURE TOP 60 gdo				1
0411	602517700	GRILLPAN std mot				1
0419	082987302	GUIDE top oven /grill shelf				2
0427	082283705	HANDLE grill pan 1041				1
0749	082985702	SHELF main oven 550/600				1
0967	082518800	WIRE TRIVET grill pan 1130				1
NR	073104803	FACIA MECH fs 60 ang g prog				1
0124	083008800	CABLE assy timer to interupter				1
0637	083011100	PIPE stat to t/ov burner fs600				1
0637	083040100	PIPE stat to t/ov burner				1
0637	083011000	PIPE stat to m/ov burner fs600				1
0637	083040000	PIPE stat to m/ov burner				1
0909	083007900	INTERUPTER thermocouple				1
0917	082998600	TIMER GAS345/ESK1293-026				1
NR	073105004	HOB AES 60 g wire lid-be blk				1
0090	082957800	BURNERCAP aux (serie3)blk gls				1
0091	082957801	BURNERCAP semi (serie3)blk gls				2
0092	082957802	BURNERCAP rapid(serie3)blk gls				1
0111	056900900	BUTTON hotplate Blk				4
0472	602895007	HOTPLATE 60 gas fs lid be blk				1
0551	012903901	LID glass assy 60 blk				1
0614	082249902	PANSUPPORT enamelled				2
NR	073105501	MAIN DOOR AES fs 60 be Sta				1
0057	083006000	BRACKET door handle				2
0247	013009702	DOOR assy 60 main be sta				1
0303	082557900	END CAP LH door ext Blk				1
0304	082557901	END CAP RH door ext Blk				1
0428	562989812	HANDLE door be 60 sta				1
NR	073106001	TOP DOOR AES fs 60 be do sta				1
0057	083006000	BRACKET door handle				2
0256	013009602	DOOR assy 60 top be sta				1
0303	082557900	END CAP LH door ext Blk				1
0304	082557901	END CAP RH door ext Blk				1

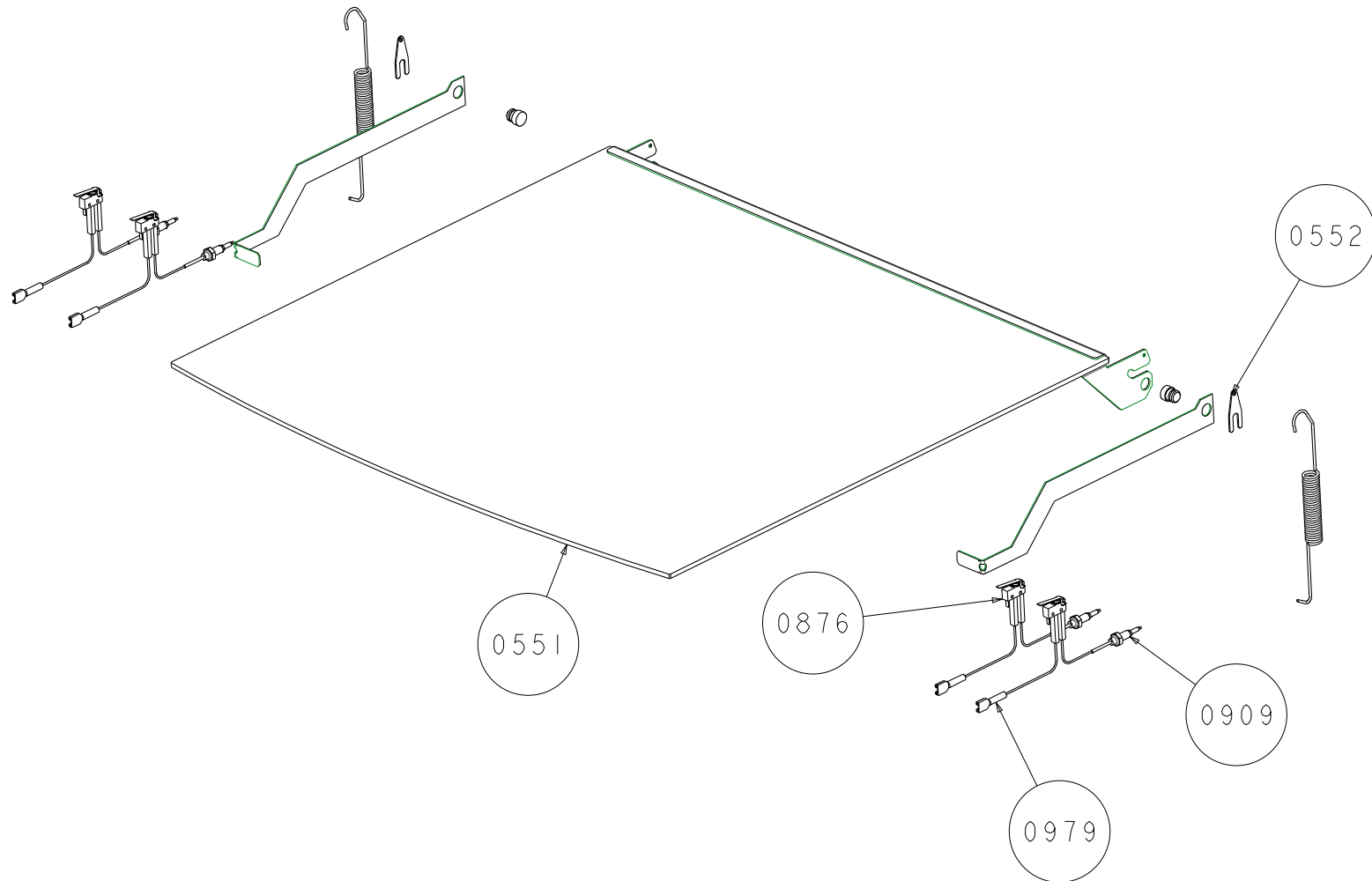
PRODUCT: BEL FSG 60 DOP Sta
 COLOUR: Sta
 CODE: 444440497
 ISSUE: A
 DATE: 08/02/2010

FREESTANDING

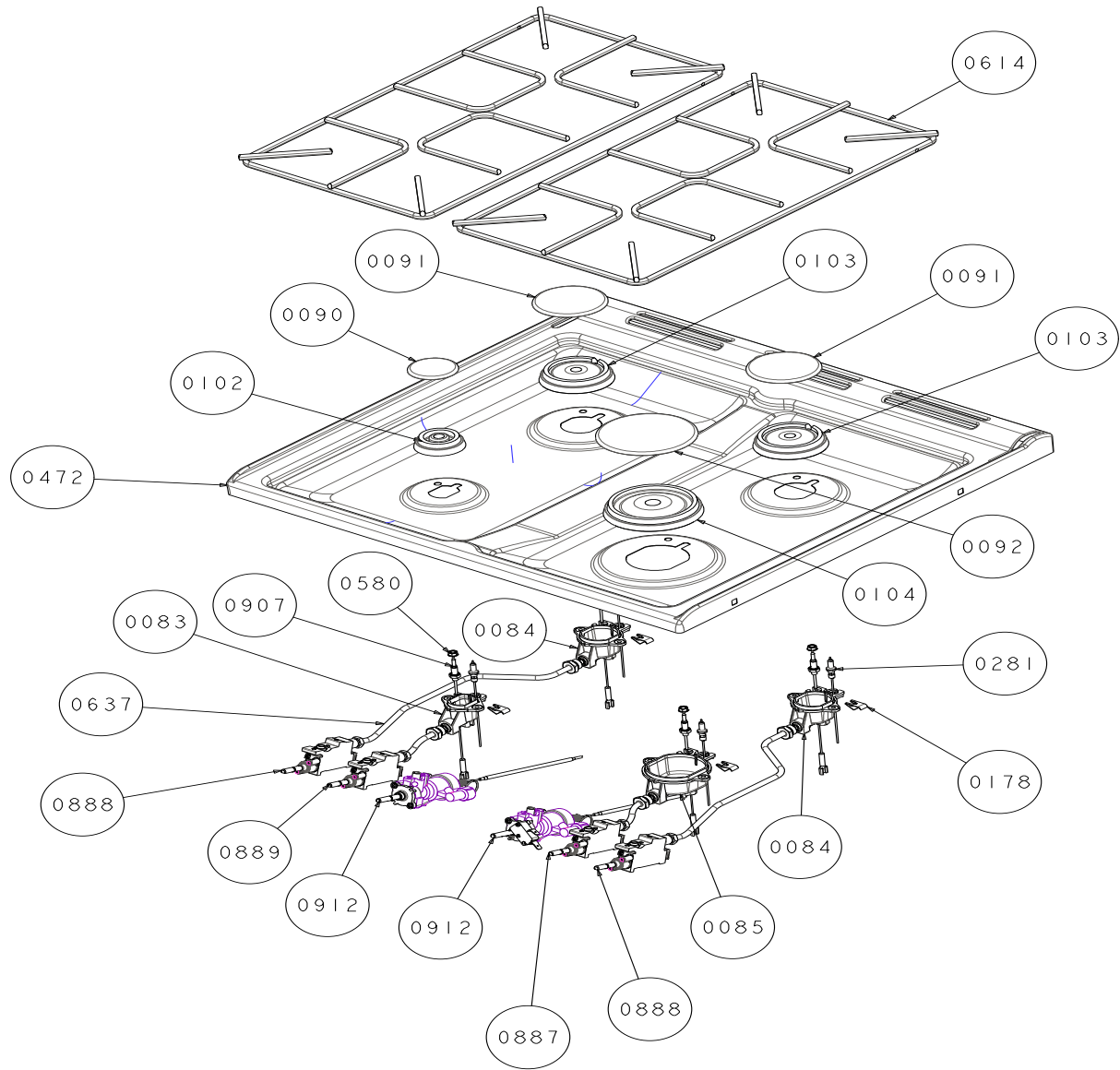


Key	Product	Product Description	TCO	Replace	Date	Qty
0428	702989812	HANDLE door be 60 sta				1
NR	073106515	FACIA AES fs be gdop Blk				1
0032	082566102	BEZEL switch nic				2
0113	082588500	BUTTON timer				3
0114	081811301	BUTTON switch				2
0299	083003102	ENDCAP facia lh matt black				1
0299	083003103	ENDCAP facia rh matt black				1
0322	013009513	FACIA assy be 60 fsg dop blk				1
0525	083000900	KNOB cont bi-gas fs-gasBlk/Chr				6
0810	083005100	STEM timer button				3
0878	081811101	SWITCH ignition E2009				1
0879	081811100	SWITCH light E1036				1
NR	073107017	WIRING fs q do clock				1
0388	083006100	GENERATOR ignition DG324				1
NR	073107500	SIDE PANELS blk				1
NR	073107602	LABELS be fsg 60 do				1
DNR	013011404	LABELS fs gas cooker				1
0424	082742700	HANDBOOK be fsg 60 do/dop				1
0424	082742701	HANDBOOK be fsg 60 do/dop				1
NR	073109600	PACKAGING fs 60				1

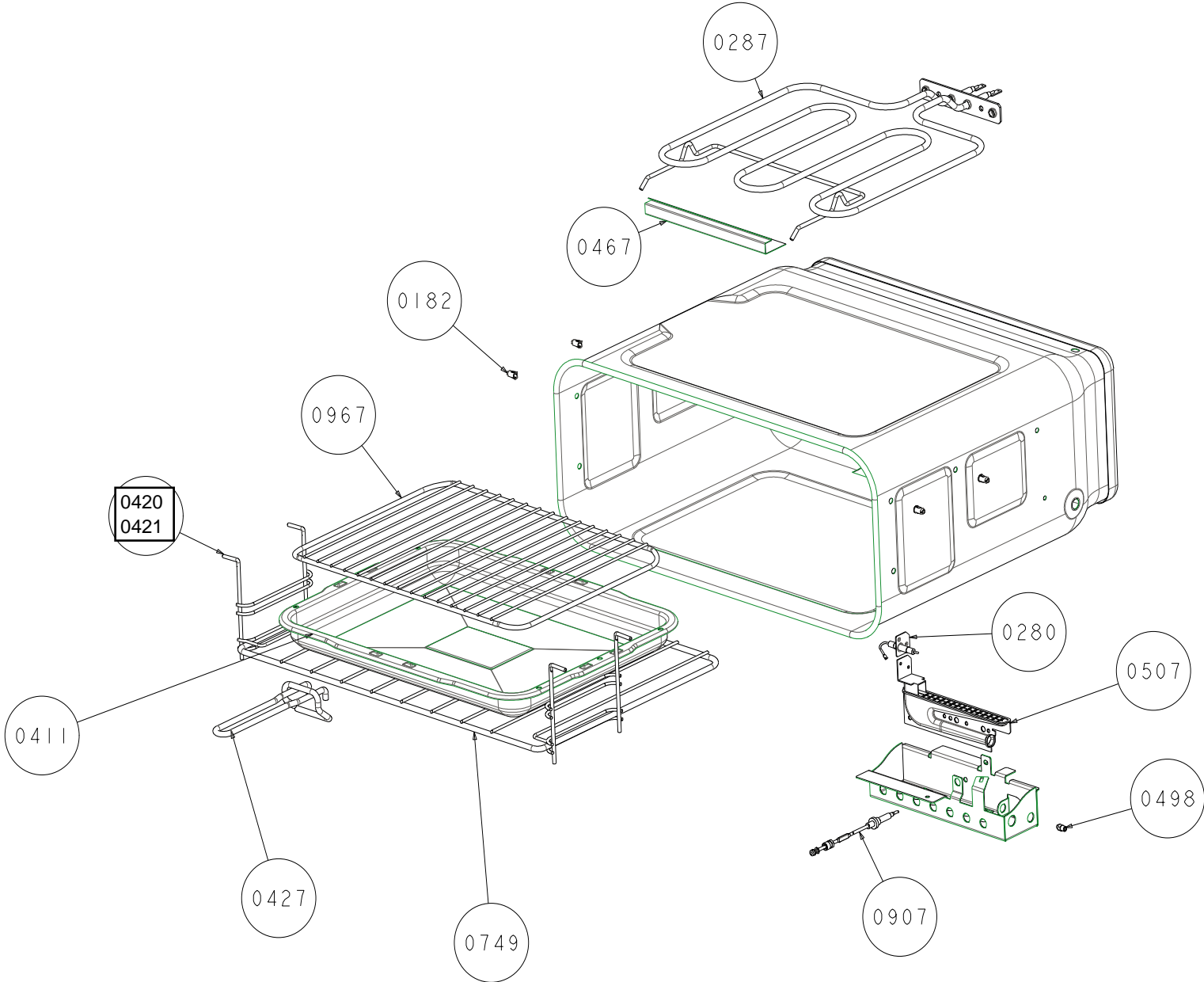
FREESTANDING LID ASSEMBLY



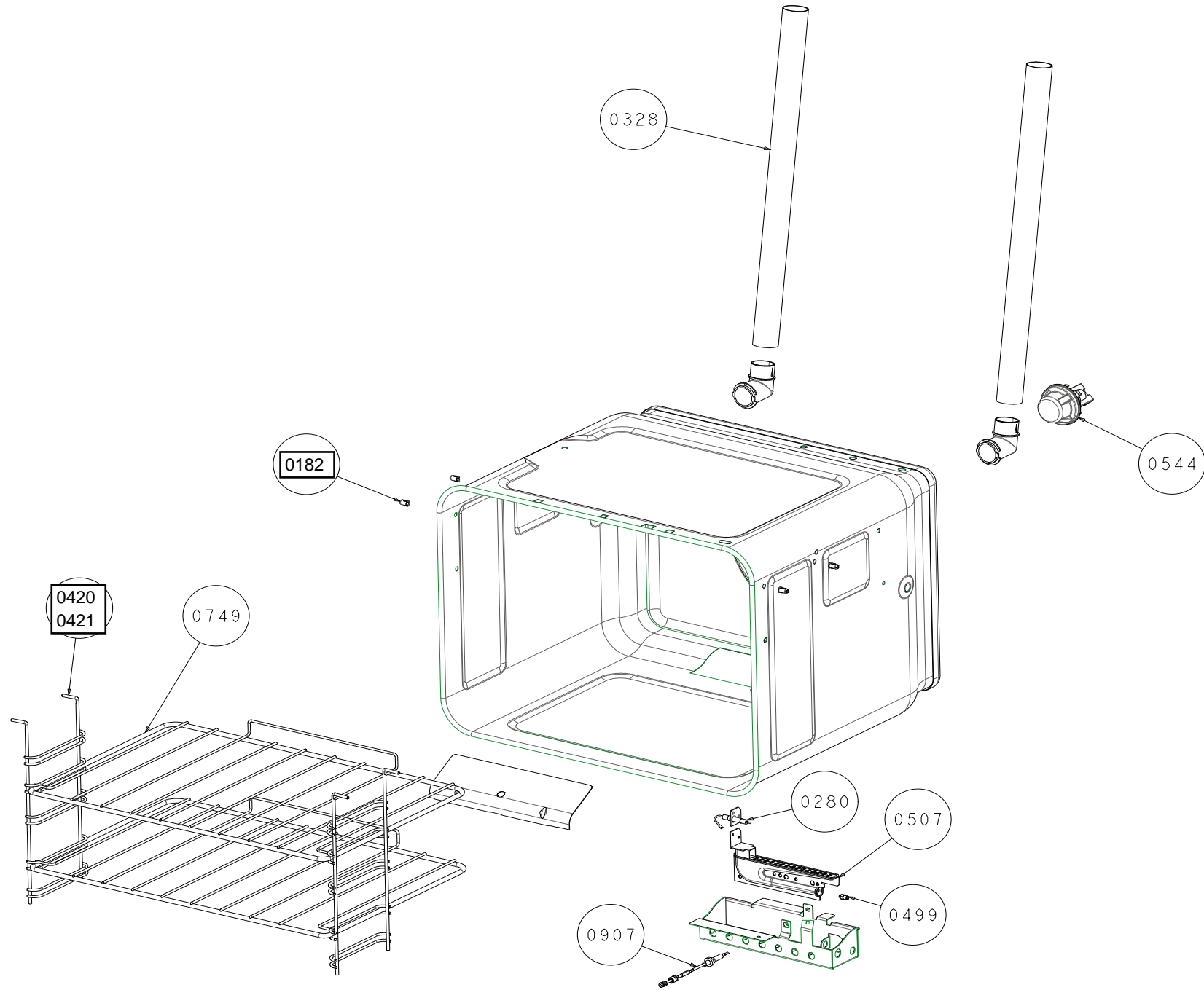
FREESTANDING HOTPLATE ASSEMBLY



FREESTANDING TOP OVEN CAVITY



FREESTANDING GAS MAIN OVEN



FREESTANDING DOORS, FASCIA AND FRONT FRAME ASSEMBLY

